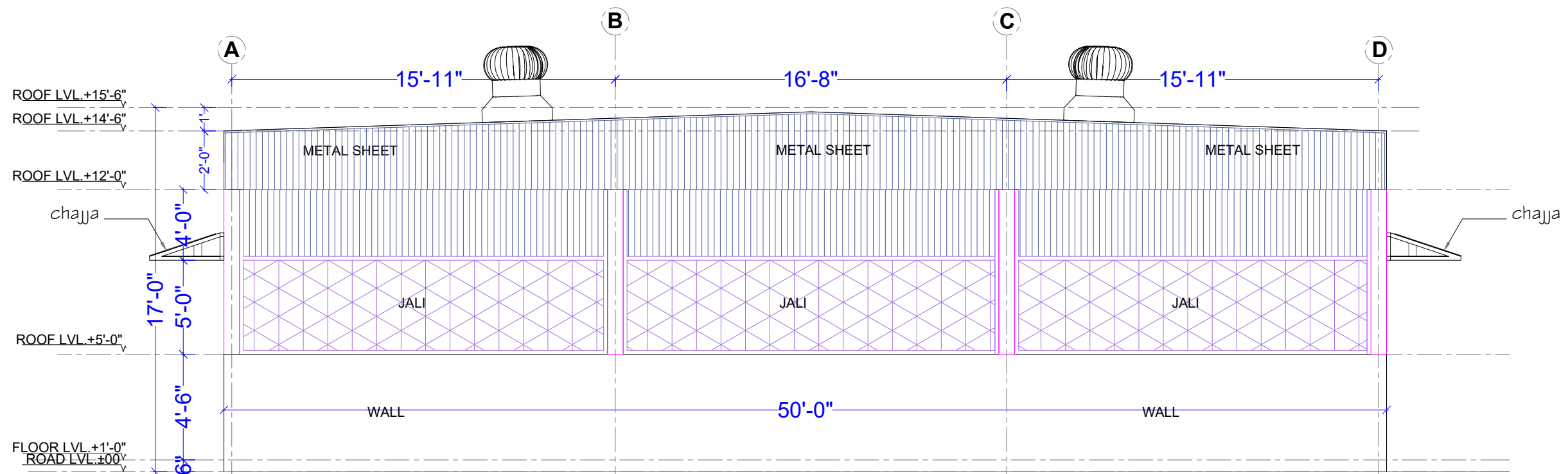
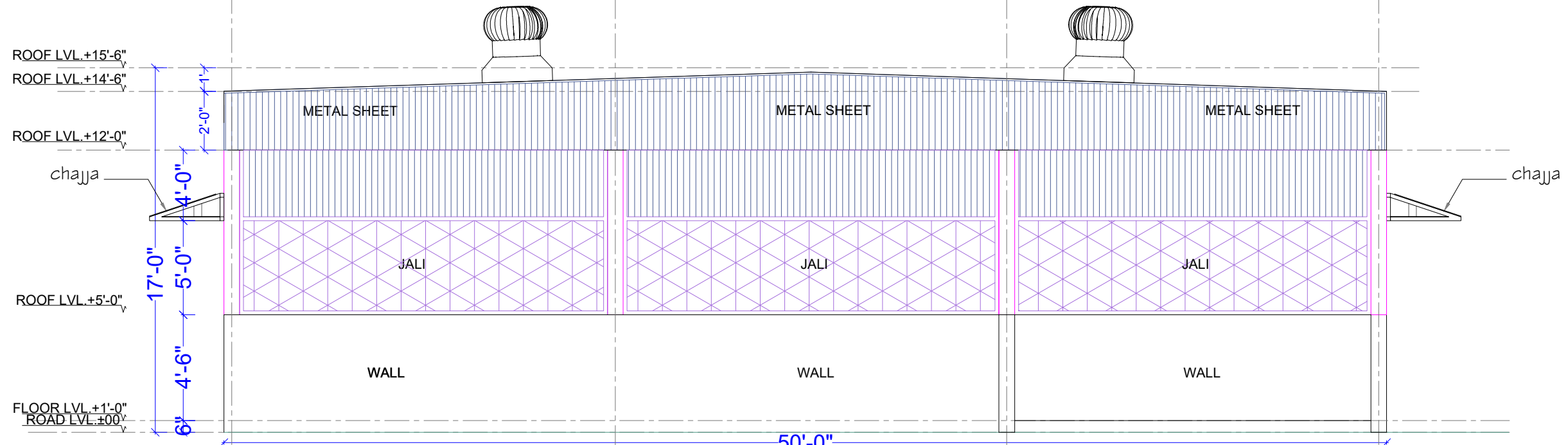


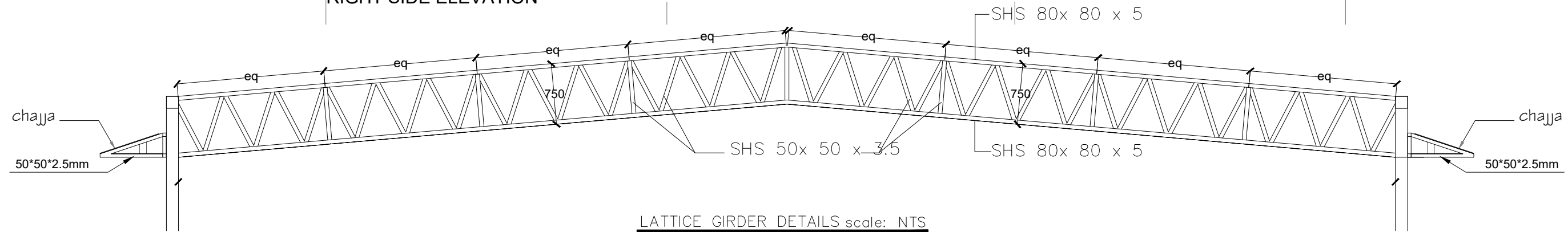
PROJECT:- SHED (4500 Sq.ft Gaya)	DWG.TITLE SITE PLAN (OPTION_01)	DATE 22.04.2026	ISSUED TO	DESIGNED BY AR. AMIR KHAN	S R INTERIORS	NORTH
			SCALE			



LEFT SIDE ELEVATION

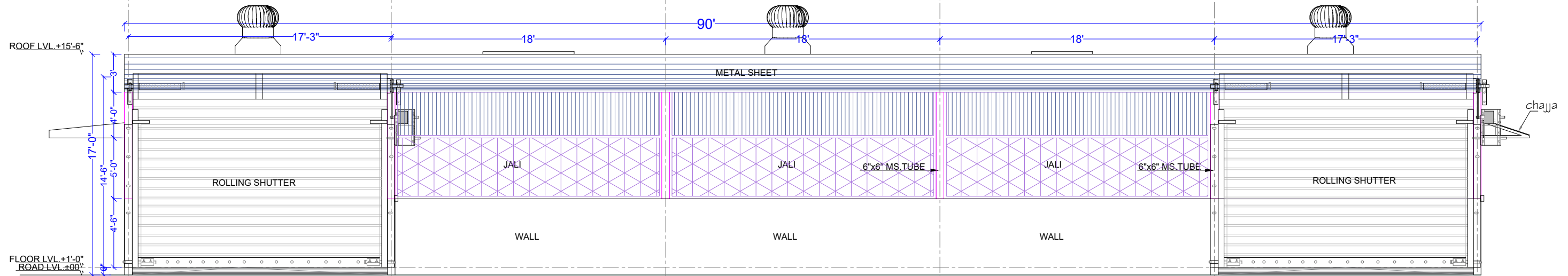
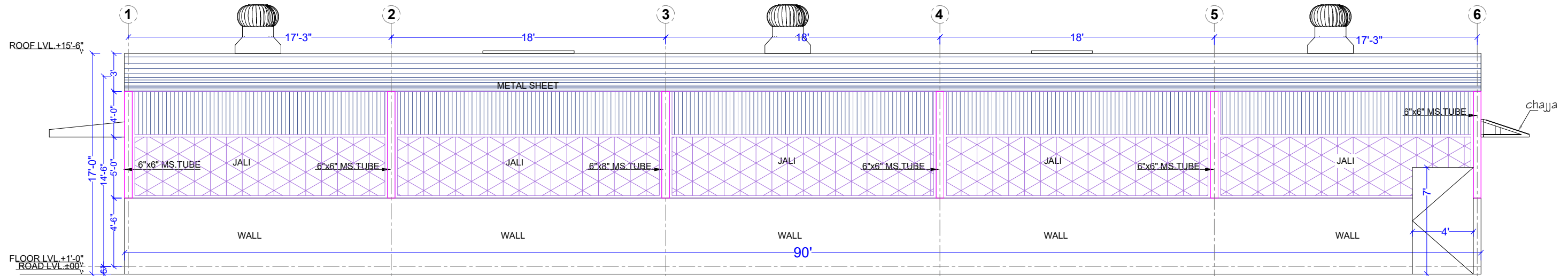


RIGHT SIDE ELEVATION

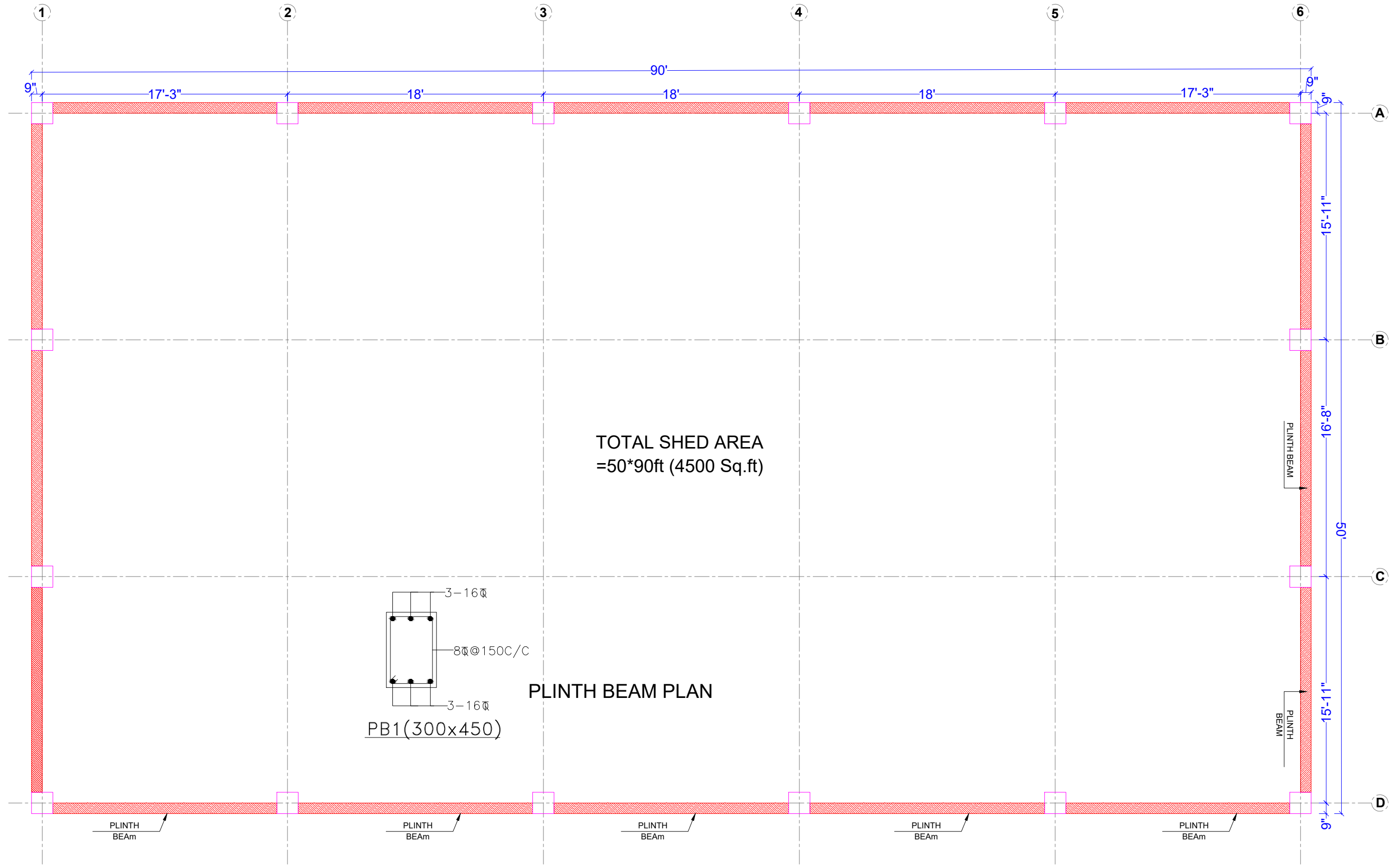


LATTICE GIRDER DETAILS scale: NTS

PROJECT:-	DWG.TITLE	DATE	ISSUED TO	DESIGNED BY	S R INTERIORS	NORTH
SHED	ELEVATIONS-1	22.04.2026	SCALE	Ar. AMIR KHAN		



PROJECT:-	DWG.TITLE	DATE	ISSUED TO	DESIGNED BY	NORTH	
SHEED	ELEVATION-2	26.04.2026	SCALE	AR. AMIR KHAN		S R INTERIORS



PROJECT:-

SHED

DWG. TITLE

PLINTH BEAM PLAN

DATE

22.04.2026

ISSUED TO

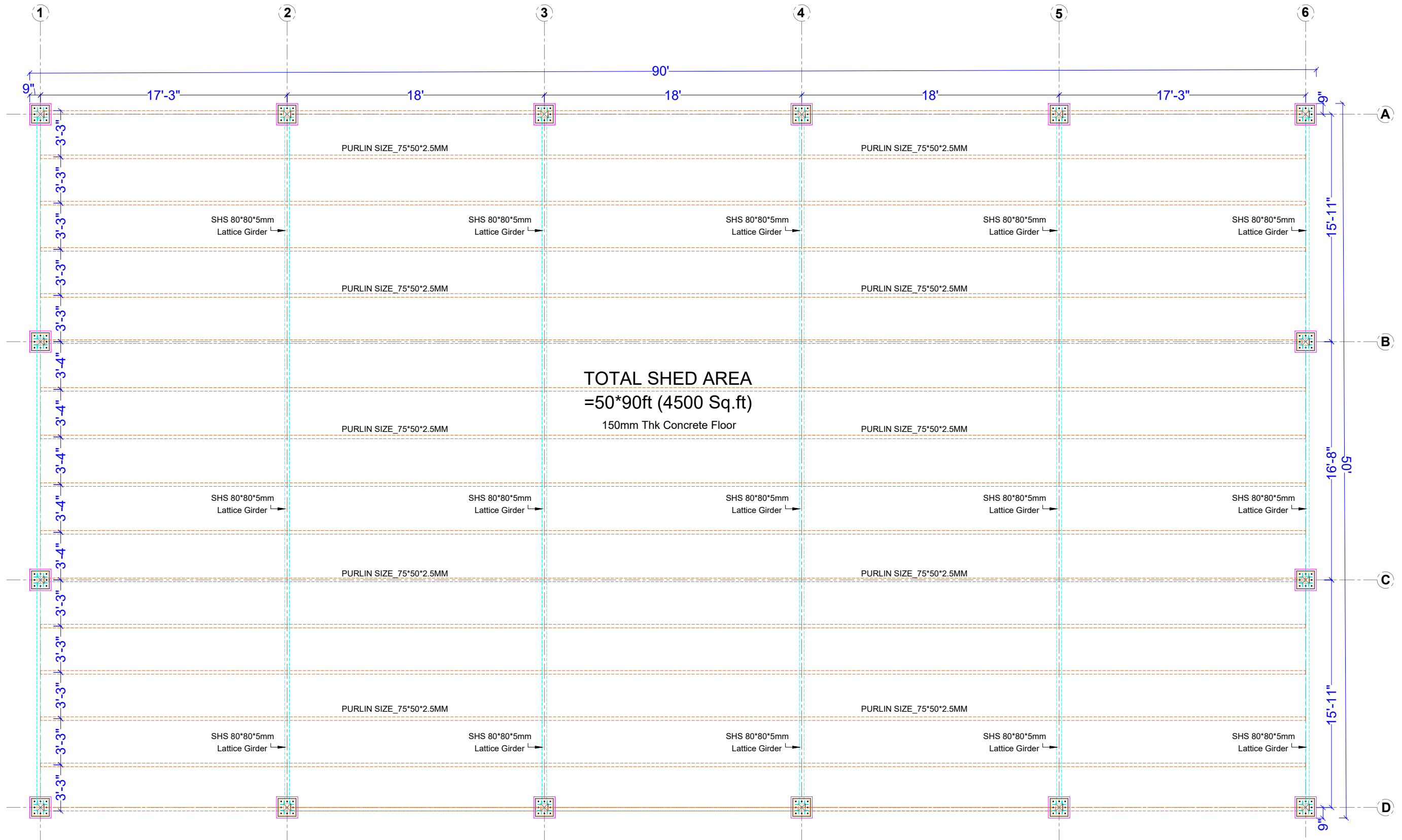
SCALE

DESIGNED BY

AR. AMIR KHAN

S R INTERIORS

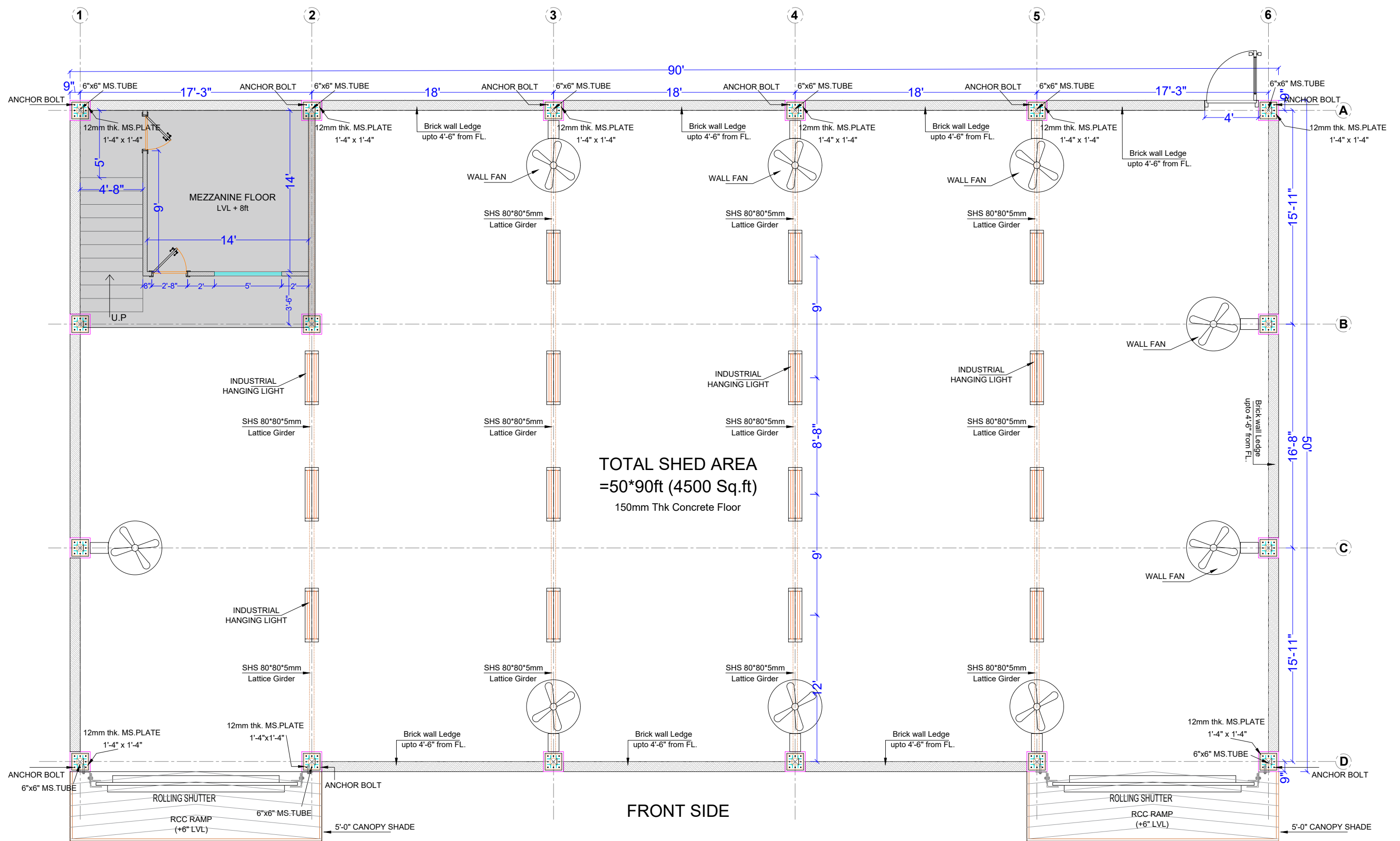
NORTH



TOTAL SHED AREA
 =50*90ft (4500 Sq.ft)
 150mm Thk Concrete Floor

ROOF FRAMING PLAN
 PURLIN SIZE_75*50*2.5mm

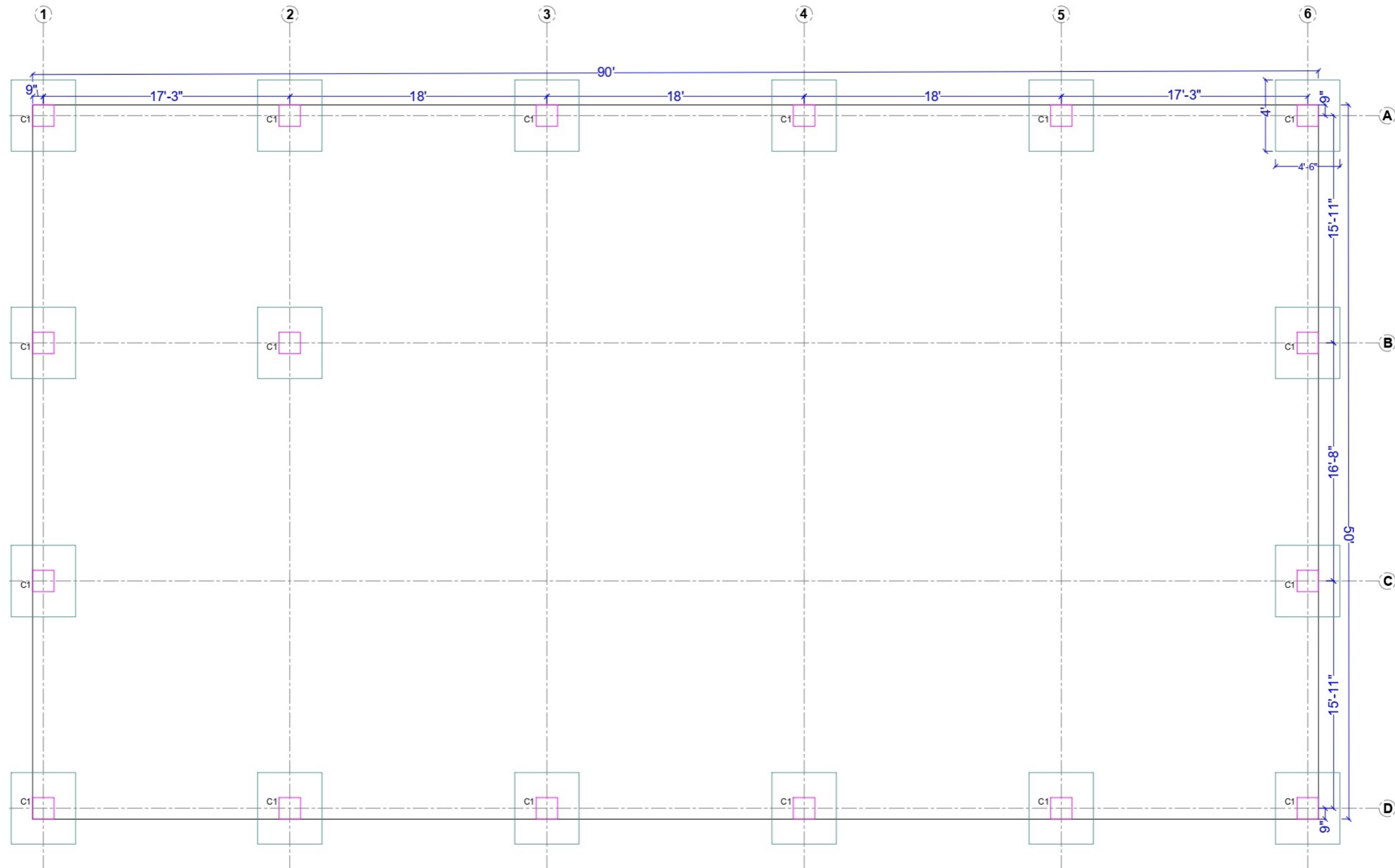
PROJECT:- SHED	DWG.TITLE	DATE	ISSUED TO	DESIGNED BY	NORTH
	ROOF FRAMING PLAN	22.04.2026	SCALE	AR. AMIR KHAN	
				S R INTERIORS	



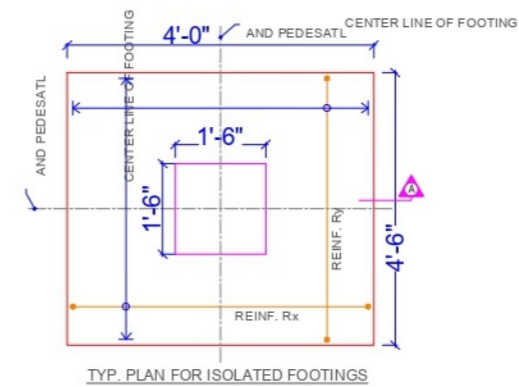
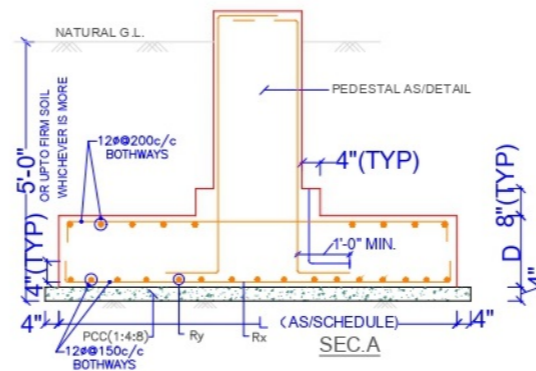
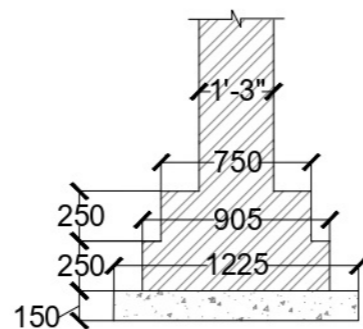
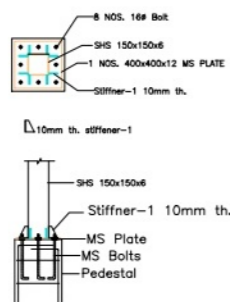
TOTAL SHED AREA
 =50*90ft (4500 Sq.ft)
 150mm Thk Concrete Floor

SHED LAYOUT PLAN

PROJECT: SHED	DWG.TITLE	DATE	ISSUED TO	DESIGNED BY	NORTH
	SHED LAYOUT PLAN	22.04.2026	SCALE	AR. AMIR KHAN	
				S R INTERIORS	



FOUNDATION PLAN

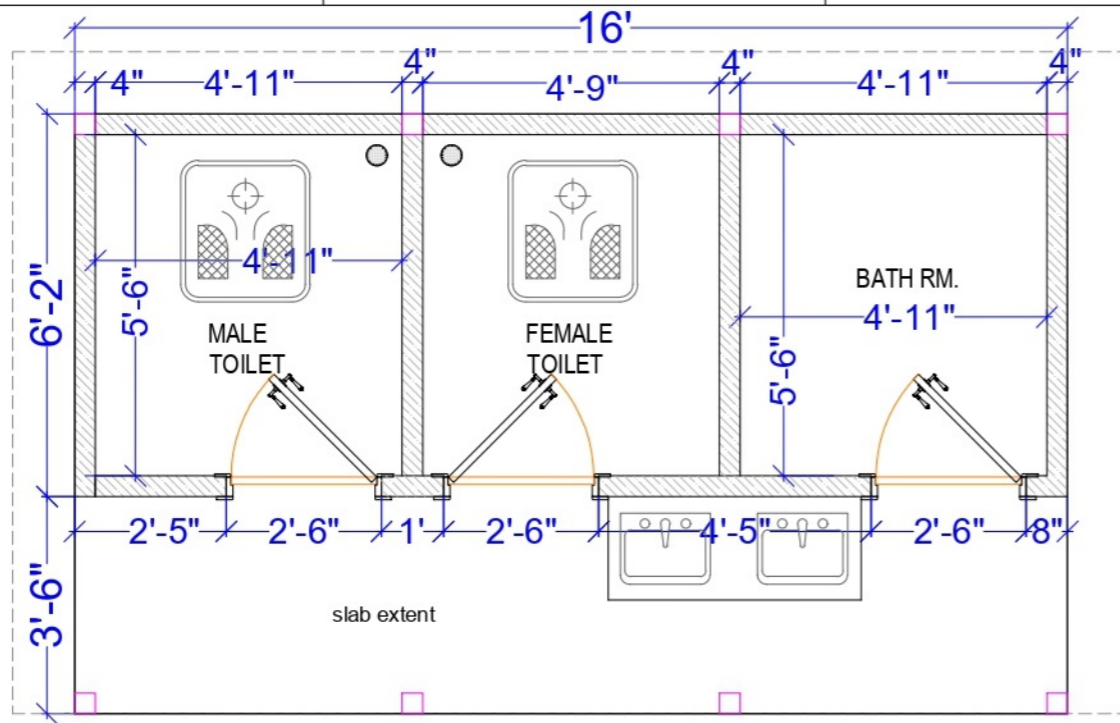


(TYP. SEC. FOR ISOLATED FOOTINGS)

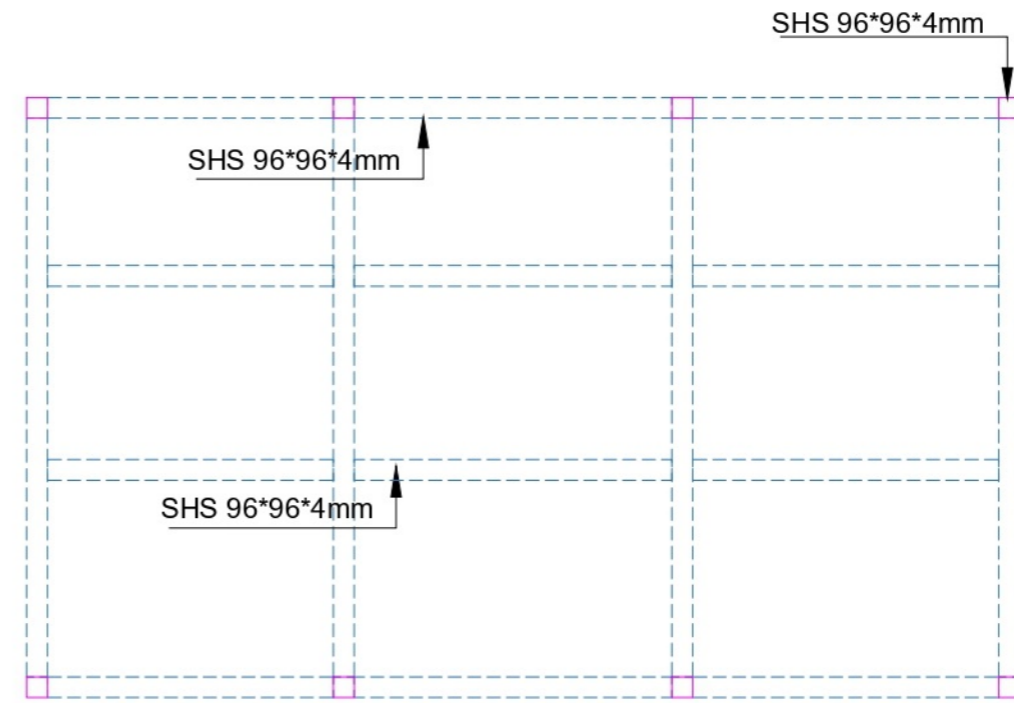
PROJECT:-

SHED

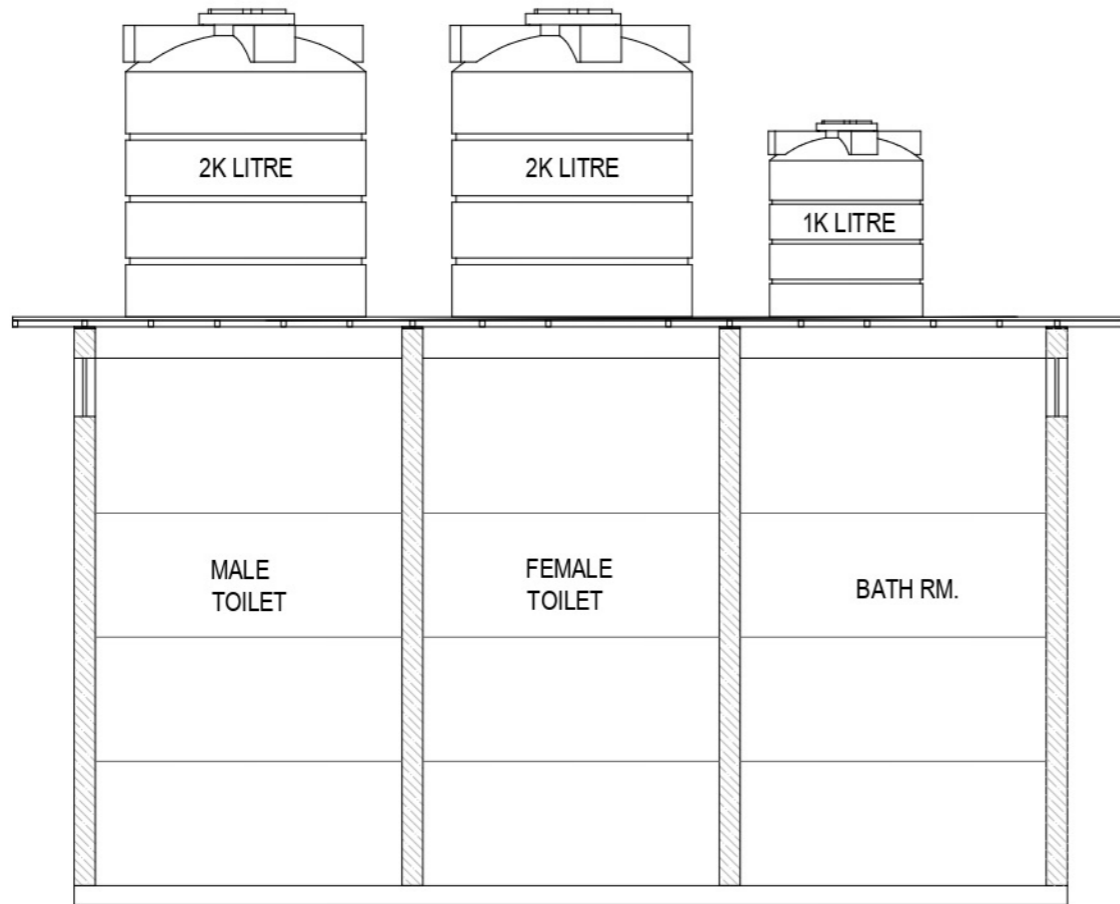
DWG. TITLE FOOTING PLAN & DETAIL	DATE 22.04.2026	ISSUED TO	DESIGNED BY AR. AMIR KHAN	NORTH
	SCALE		S R INTERIORS	



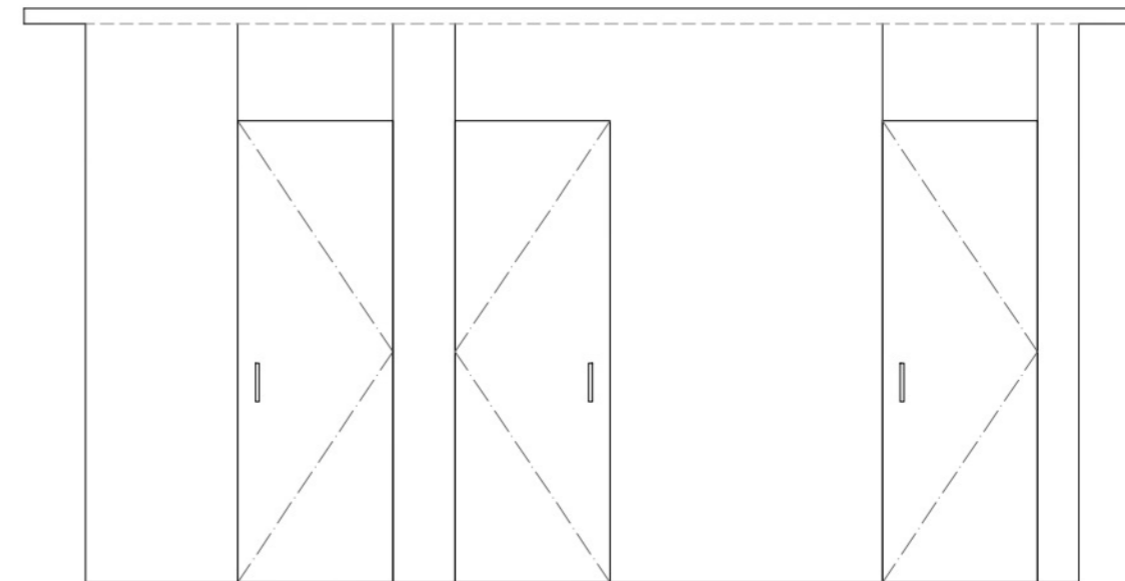
TOILET LAYOUT



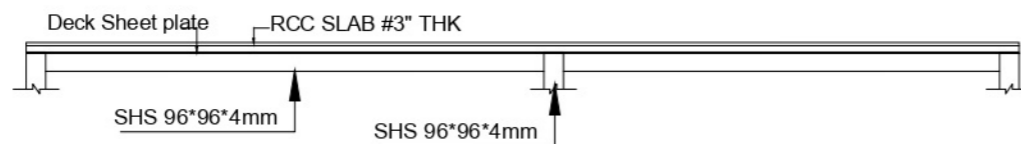
BASE FRAMING PLAN



TYPICAL SECTION



FRONT ELEVATION



SLAB SECTION

SHED

DWG. TITLE TOILET BLOCK DWG.	DATE 22/01/2024	ISSUED TO	DESIGNED BY AR. AJIB KHAN	NO. OF 1
		SCALE		
			S R INTERIORS	